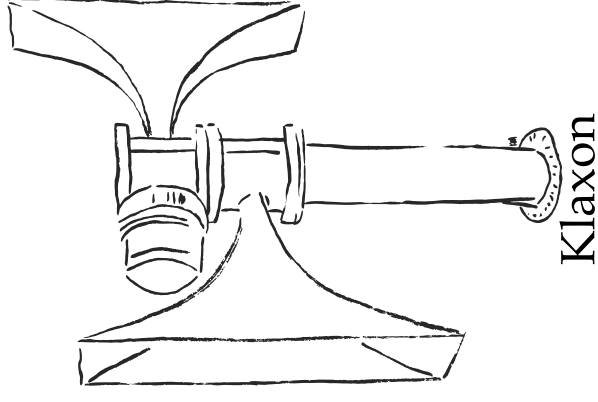


-What's that loud noise?

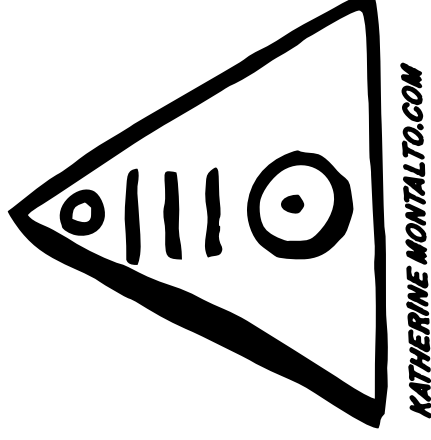
-It's the first Saturday of the month.
They're testing the alarm system

-No, It's Wednesday.

-Do you think it's a real emergency?



Klaxon



Copyright ©2023 by Katherine Montalto
All Rights Reserved

The ground shook and rumbled.
The concrete of the street cracked
open. Heat escaped from a deep
hole along with a roar so loud the
warning of the klaxon could
no longer be heard.

-I've only ever heard it go off
once a month on a Saturday.