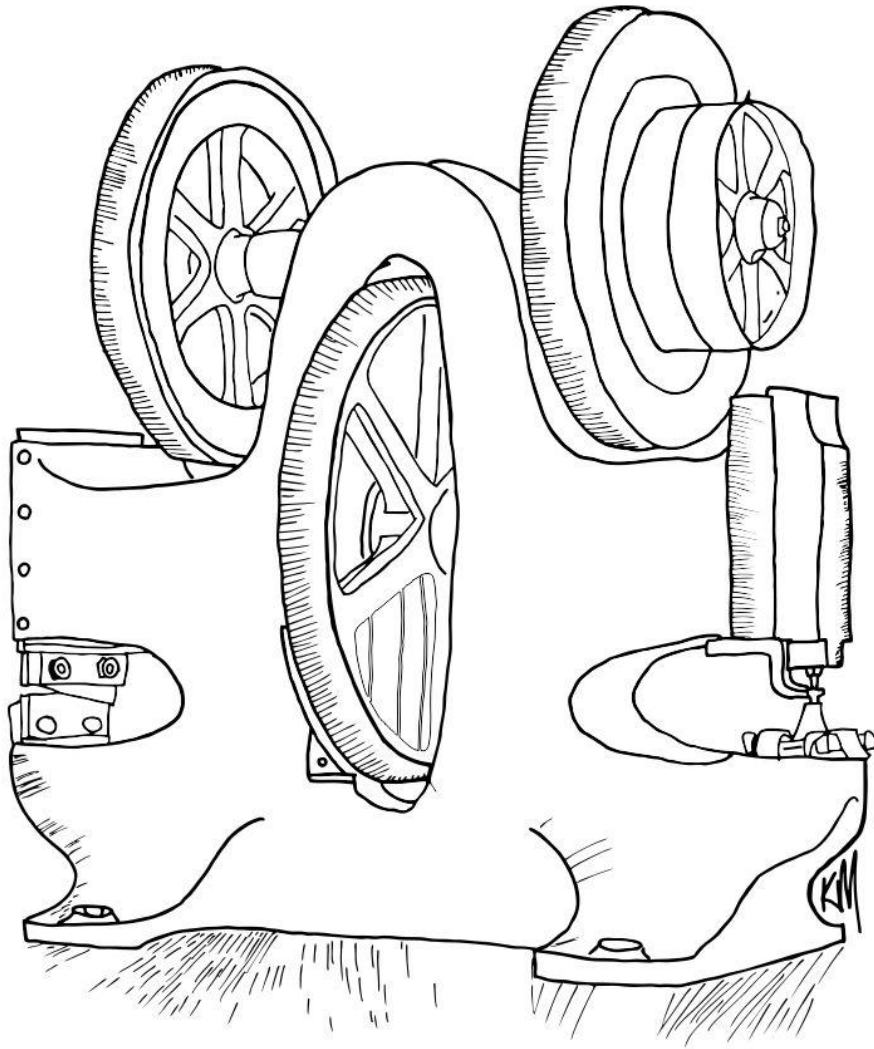
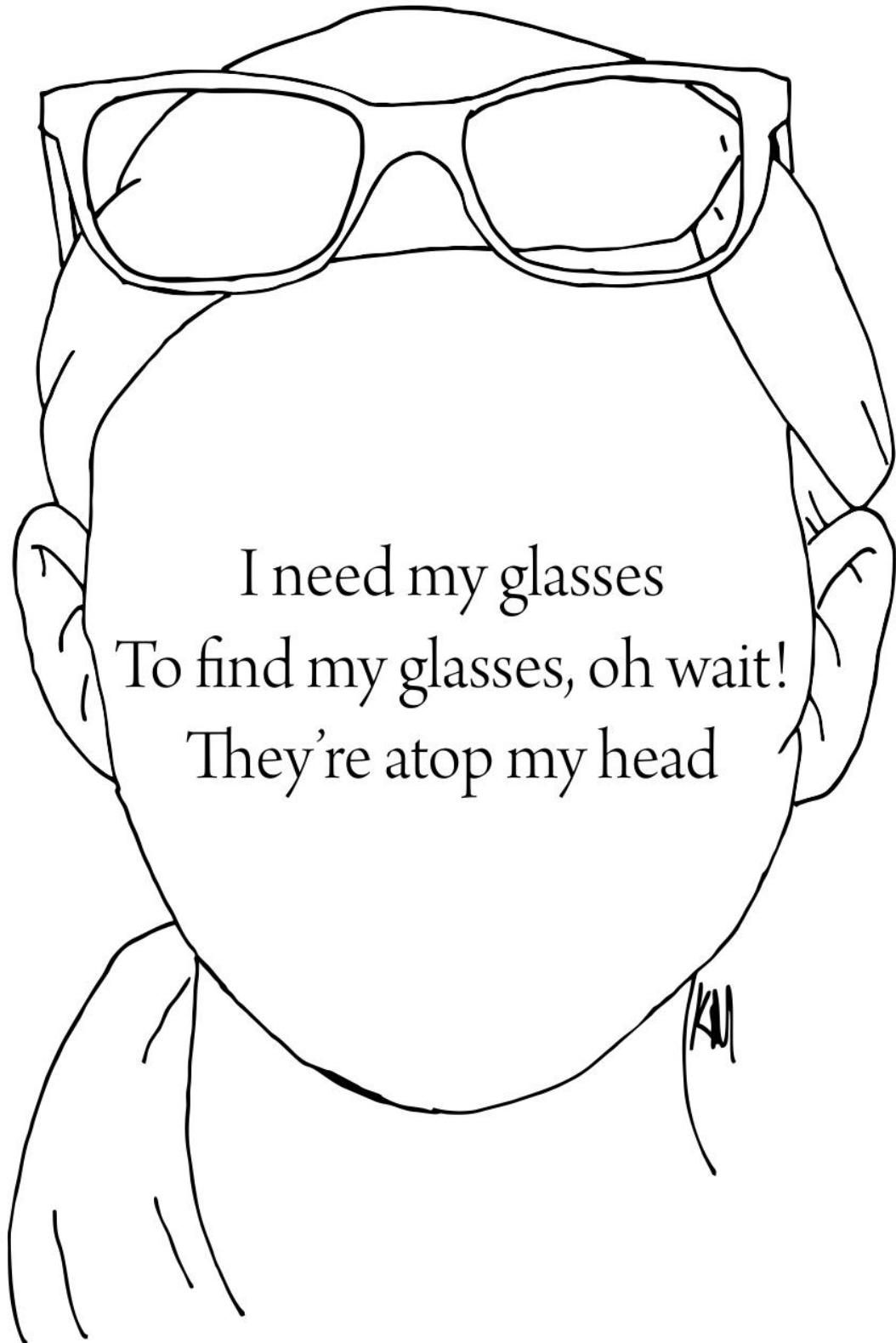


Cogs in the Machine



Thirteen Haiku Poems
By Katherine Montalto

Glasses Haiku



I need my glasses
To find my glasses, oh wait!
They're atop my head

Candy Haiku



I want candy now
Give me that sweet sweet candy
I will murder you!

I had plans for you
Patch of grass in the back yard
Now you are weed clogged



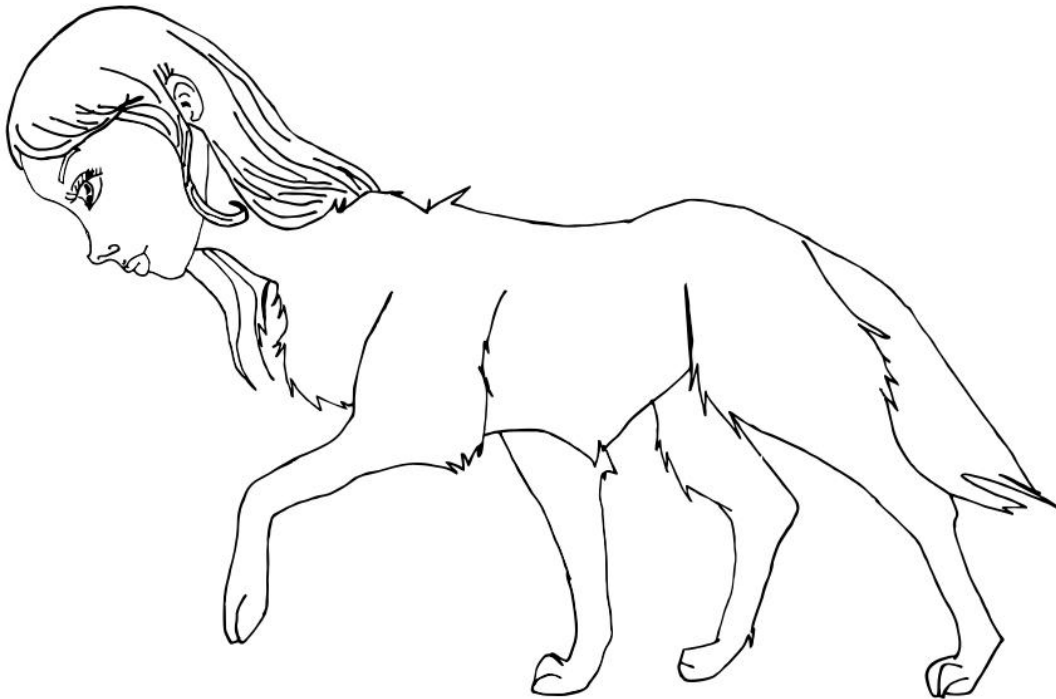
Garden Haiku

Lost Time Haiku



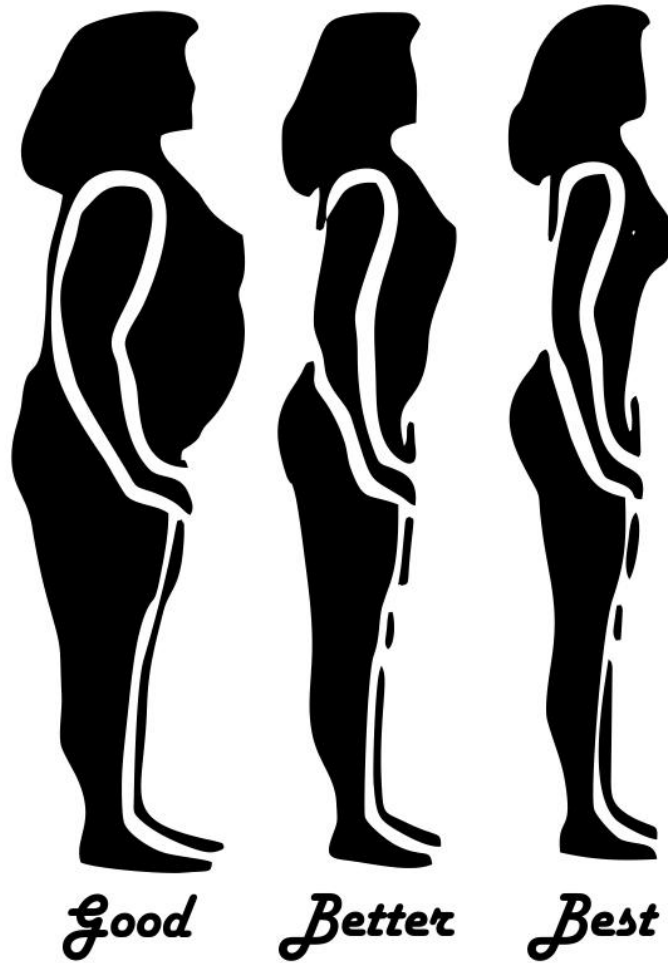
Watch out for my watch
I don't have time to find it
Do you have the time?

Uncomfortable Girl Haiku



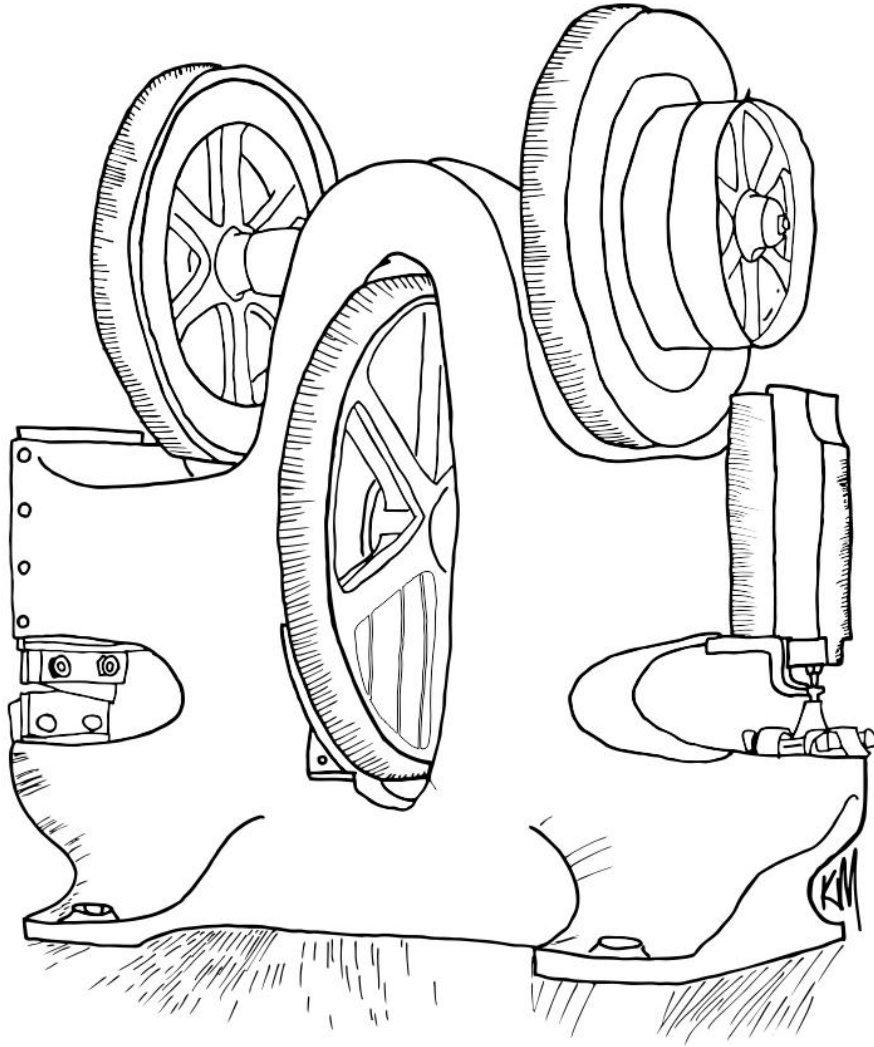
When I wear a dress
I feel like a just washed dog
That then rolls in dirt

Cultural Currency Haiku



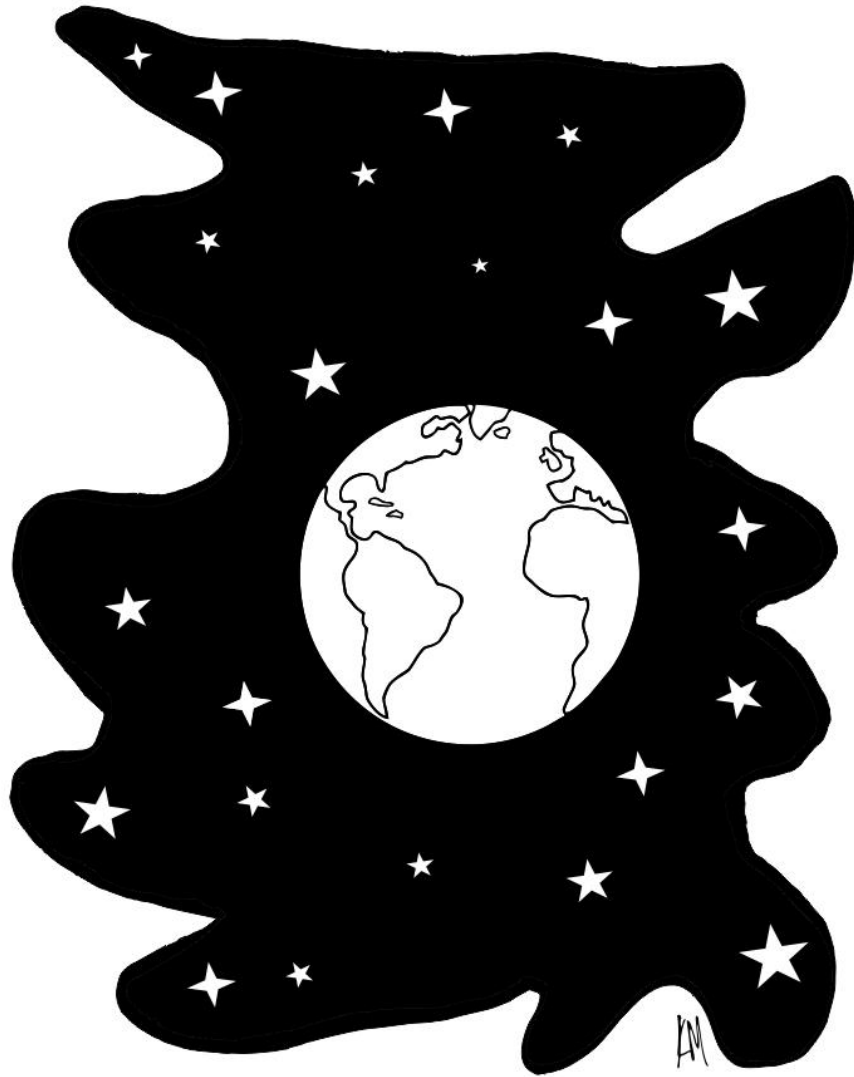
I put on some weight
Lost cultural currency
Socially bankrupt

The Machine Haiku



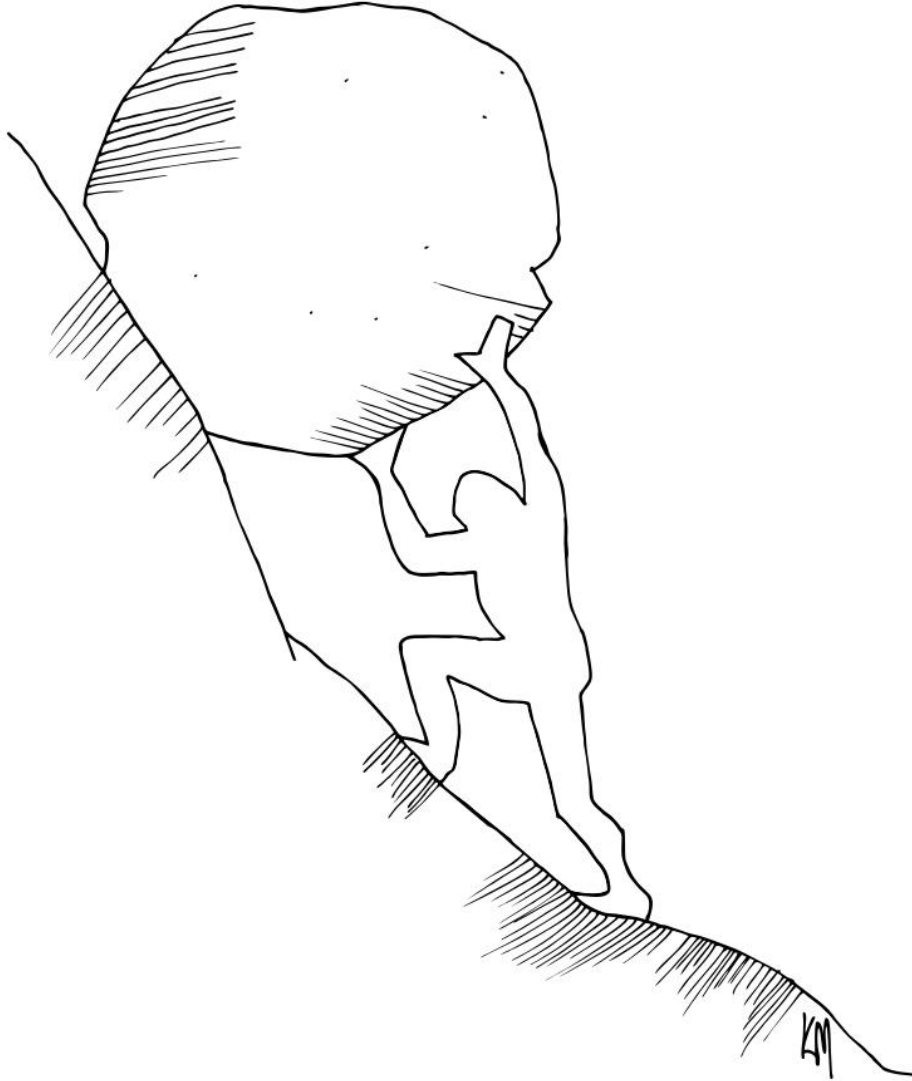
Other cogs may try
Don't let them shame you into
Loving the Machine

Space Haiku



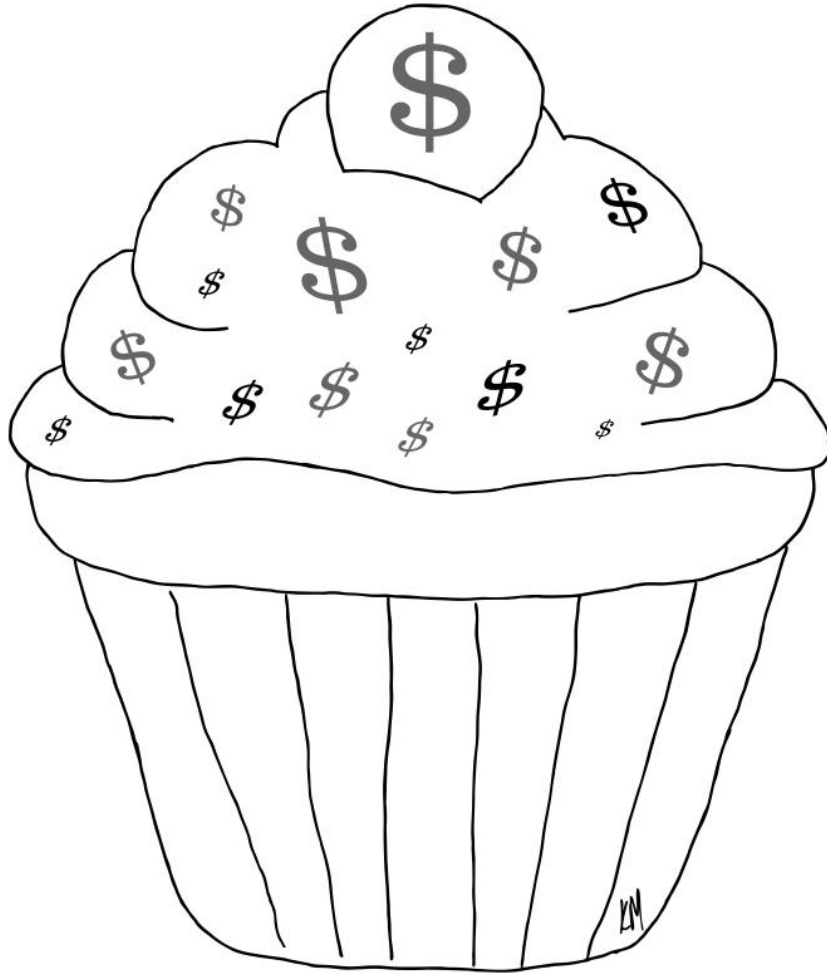
We're floating right now
in the vast dark universe
on the same spaceship

Capitalism Haiku



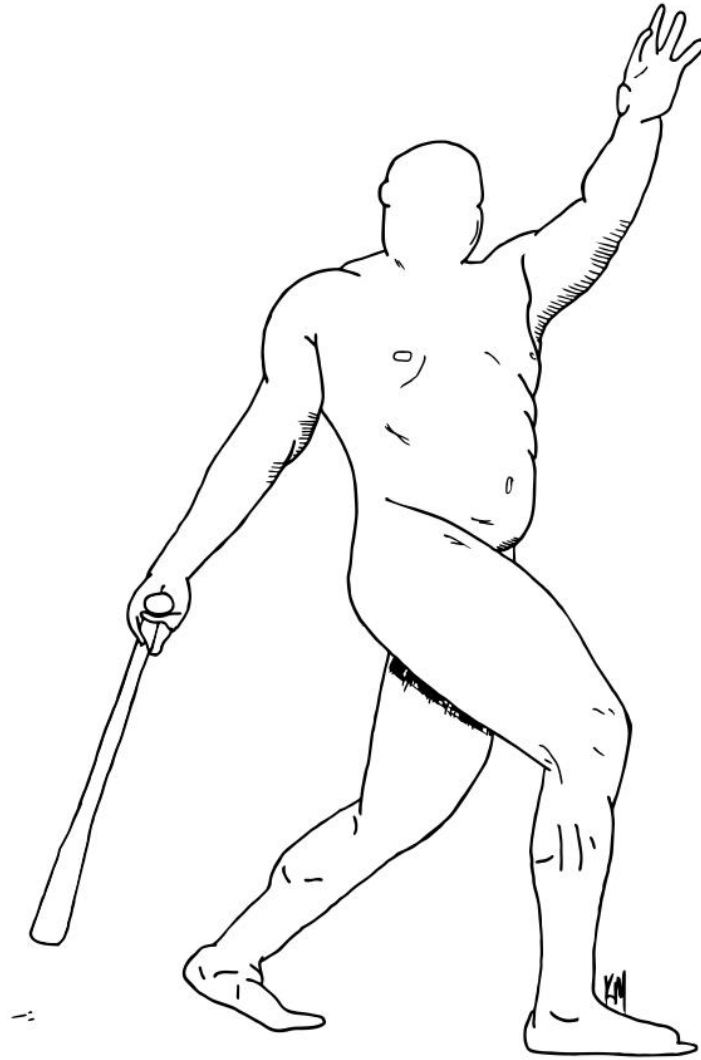
When you work harder
You're making someone else rich
You'll never get more

Commodification Haiku



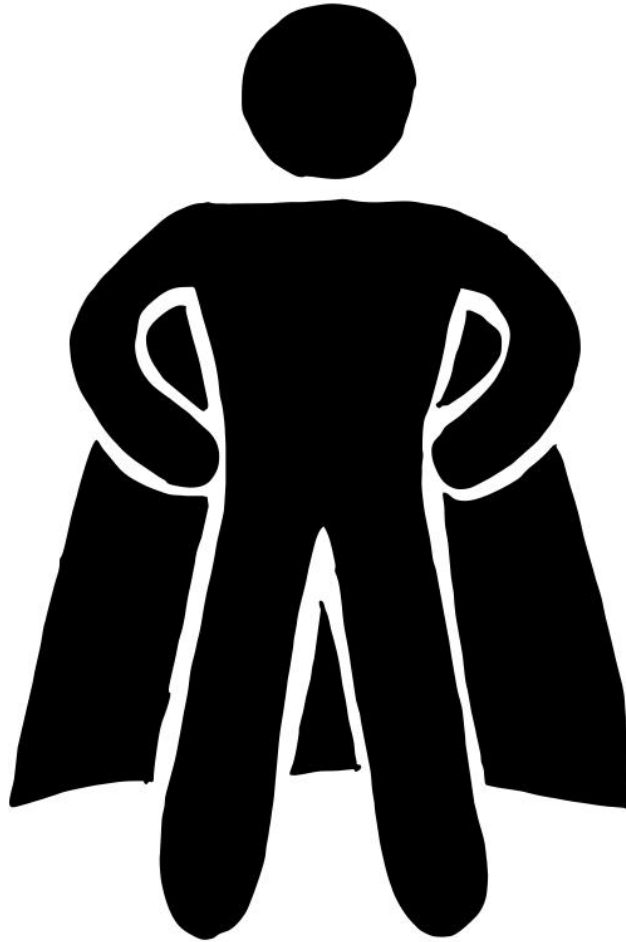
Do what you love and
You will hate what you love for
The rest of your life

This Body Haiku



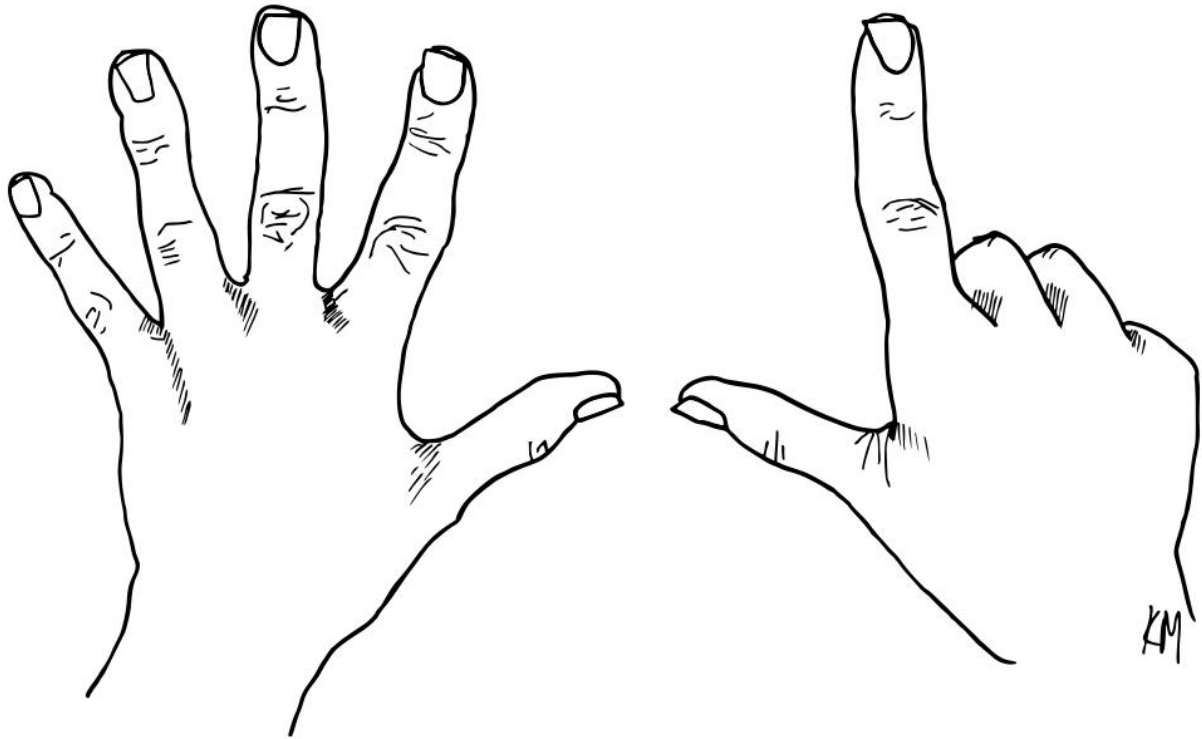
Don't shame this body
It's a work of fucking art
It is beautiful

Hero Worship Haiku



Loss of legacy
Is not the issue, it is
Our hero worship

Haiku Haiku



To write a haiku
I have to count my fingers
Watch my fingers go

Katherine Montalto is an artist, writer, and weirdo.
A long time ago she was a chef.



katherinemontalto.com

Copyright ©2015 by Katherine Montalto
All rights reserved. No part of this book
may be reproduced, stored in a retrieval
system, or transmitted in any form or by
any means, electronic, mechanical,
photocopying, recording, or otherwise,
without written permission of the creators.

From:



To:
